

**EU DECLARATION OF CONFORMITY**
DECLARACIÓN UE DE CONFORMIDAD

The company / *La Empresa:*

BASOR ELECTRIC, S.A.

Address / *Dirección:*

Av. Alcodar, 45-47, 46700. Gandía (VLC), Spain.

Declares that the product:

Declara que el producto:

BASORPLAST SVG

Installed in accordance to the installation standards, manufacturer's instructions and professional rules, duly maintained and used for the applications as intended.

Instalado de acuerdo con las normas de instalación, instrucciones del fabricante y conforme a las reglas profesionales, debidamente mantenido y utilizado en las aplicaciones para las que está previsto.

Complies with the essential requirements of the Council Directives:

Cumple con los requisitos esenciales de las Directivas del Consejo:

2014/35/UE (Low Voltage Directive) / (Directiva de Baja Tensión)

Incorporated in the Spanish Legislation in: R.D. 187/2016.

Incorporado en la Legislación Española en: R.D. 187/2016.

And it is suitable and safe for the intended use and it is in conformity with the following standard:

Es adecuado y seguro para el uso a que está destinado y es conforme con la siguiente norma:

UNE EN 61537

Additional information:

Información adicional:

This product is intended to be installed and maintained by skilled persons, it may be used by ordinary persons only as a replacement part, to substitute for an identical device.

Este producto está previsto para ser instalado y mantenido por un profesional, puede ser usado por una persona no formada para reemplazamiento de uno idéntico.

Place and date:

Lugar y fecha:

Gandía May 2016

Gandía Mayo 2016

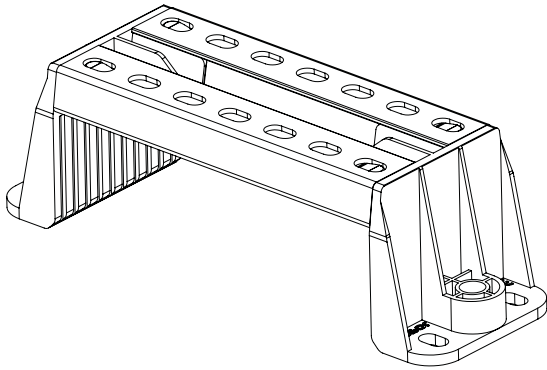
Technical department / *Departamento Técnico*

BASORSUPPORT SVG

UNE-EN 61537
REV.21/03/2018



SVG

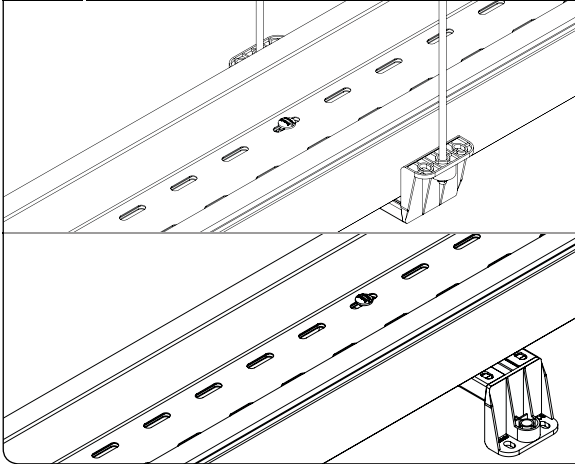


Models (B):
100; 150; 200; 300; 400; 600.

Finishes: PVC M1 RAL 7030; PVC M1 UV RAL 7035

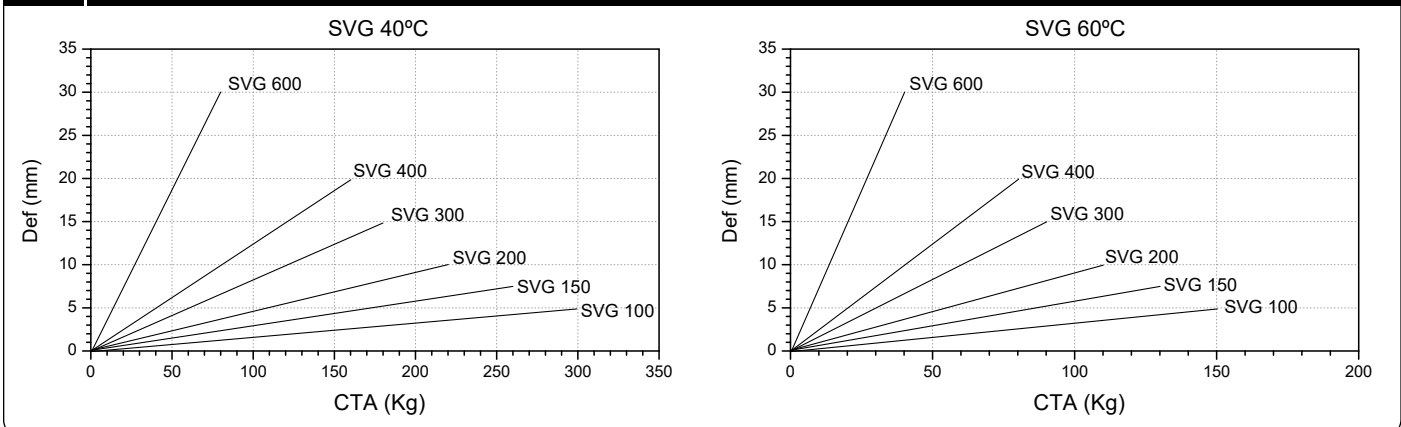
- Characteristics:
- Non metallic
 - Non-flame propagating component
 - Without electrical continuity
 - Electrical insulating component
 - Minimum Temperature: -20 °C
 - Maximum Temperature: 60 °C
 - M1 fire rating according to UNE 23727
 - Glow wire test: 960°C rating according to UNE-EN 60695-2-11
 - UL 94-VO, ANSI/UL 94-1995
 - Oxygen Level LOI > 50%, UNE EN ISO 4589
 - Comply with RoHS, 2011/65/UE

MOUNTING INSTRUCTIONS



- To assembly the support to the wall 2 anchors are needed (maximum torque: 15Nm).
- To assembly the support to the floor 2 threaded rods VR M8 and 4 nuts M8 DIN 6923 are needed.
- To fix the cable tray to the supports use M8 PVC bolt sets.
- Suitable for wet, salty and chemical environments.
- PVC M1 RAL 7035: UV resistant. Excellent outdoor behavior.
- PVC M1 RAL 7030: Material with limited resistance to direct UV exposition.

SAFE WORKING LOAD



This technical data sheet issued accordingly to the fulfillment of the product Standard, is itself a necessary analyses of the electric risks according to the low tension Directive 2014/35/UE of February 26th 2014, in effect from May 20th 2016